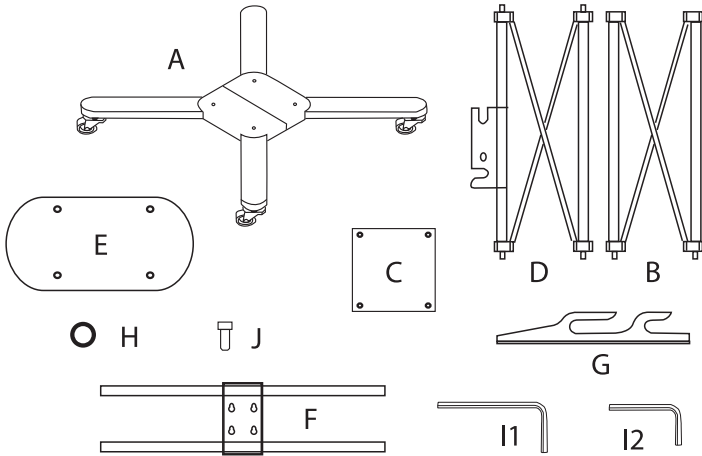


## CiERA EZ FOLD MOBILE AND DUO™ PORTABLE TV STAND

Thank you for purchasing the CiERA EZ Fold Mobile and Duo™ Portable flat panel TV Stand. Our folding truss stand is designed to accommodate two flat panel TV's back to back from 37 to 72" diagonal weighing up to 80 pounds per TV. No additional tools are required for assembly.



Part	ID	Qty
Base	A	1
Bottom Truss	B	1
Middle plate	C	1
Top Truss	D	1
Top	E	1
Rail	F	1
Brackets	G	4
O-rings	H	8
Allen Key	I1	1
Allen Key	I2	1
Bolts	J	6
Carry Bag	Not shown	1

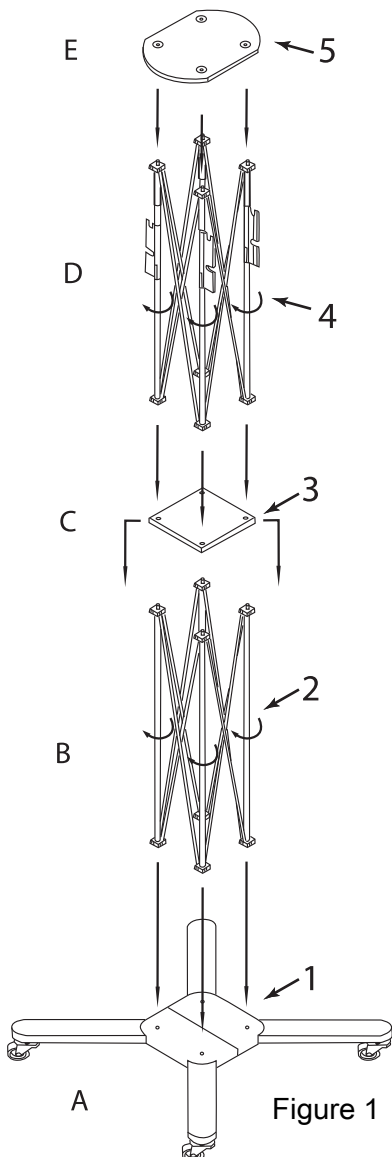


Figure 1

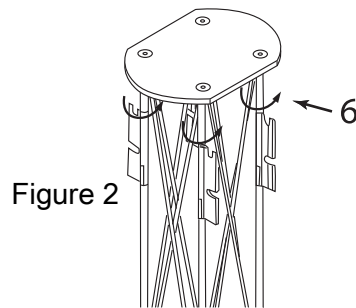


Figure 2

**Step 1.**  
Unfold Base (A) and expand each Truss section (B & D). Assemble in order shown, steps 1-6. Figure 1.

Screw Truss (B & D), Middle Plate (C) to Base (A) together by twisting uprights of each Truss upright clock-wise.

Place Top (E) on Truss (D) together by twisting uprights of each Truss counter clock-wise. Figure 2.

Checking all connections are tight enough before mounting the TV into the stand.

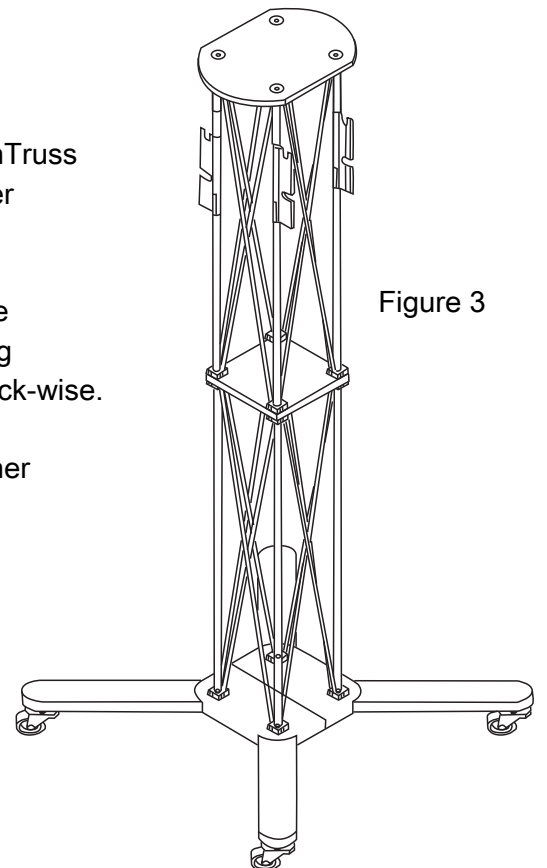
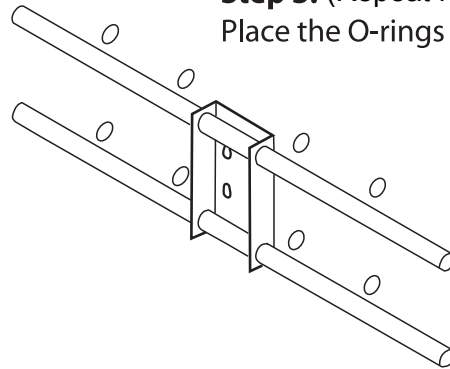


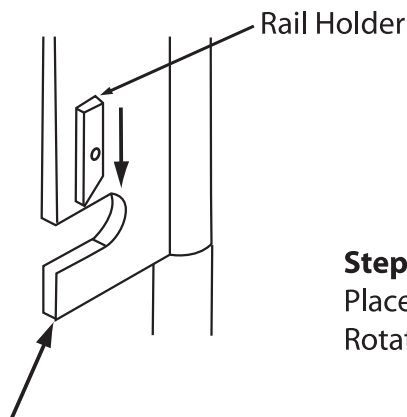
Figure 3

# Stand Assembly Instruction

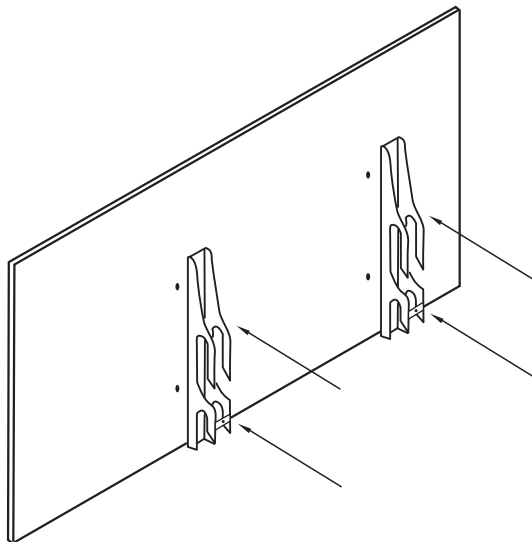
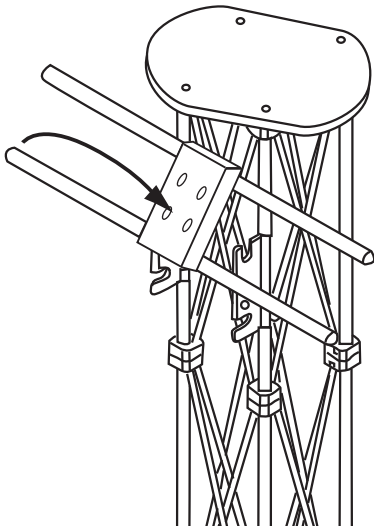
**Step 3.** (Repeat for 2nd TV)  
Place the O-rings ( H ) on Rail ( F).



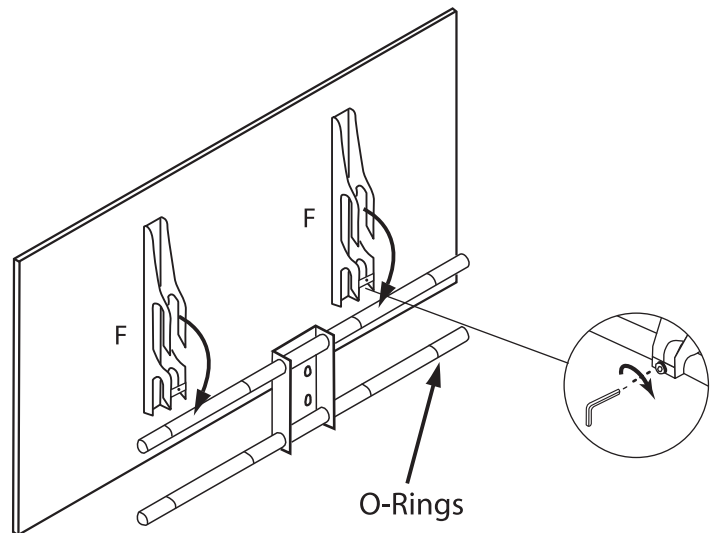
**Step 4.** (Repeat for 2nd TV)  
Place Rail ( F ) on brackets in Top Truss ( D ),  
Rotate the rails and place top rail in slot.



Truss Bracket



**Step 5.** (Repeat for 2nd TV)  
Mount Brackets ( G ) onto the back of the  
TV using bolts ( J ). Tighten Bolts with Allen  
Key(I1). DO NOT OVER TIGHTEN.



**Step 6.** (Repeat for 2nd TV)

Use 2 people to lift and center TV, hooking Brackets  
( G ) onto Rail ( F ).

Tighten lock Bolts to secure. Figure 3.

Slide O-rings against each side of TV Brackets ( G ).